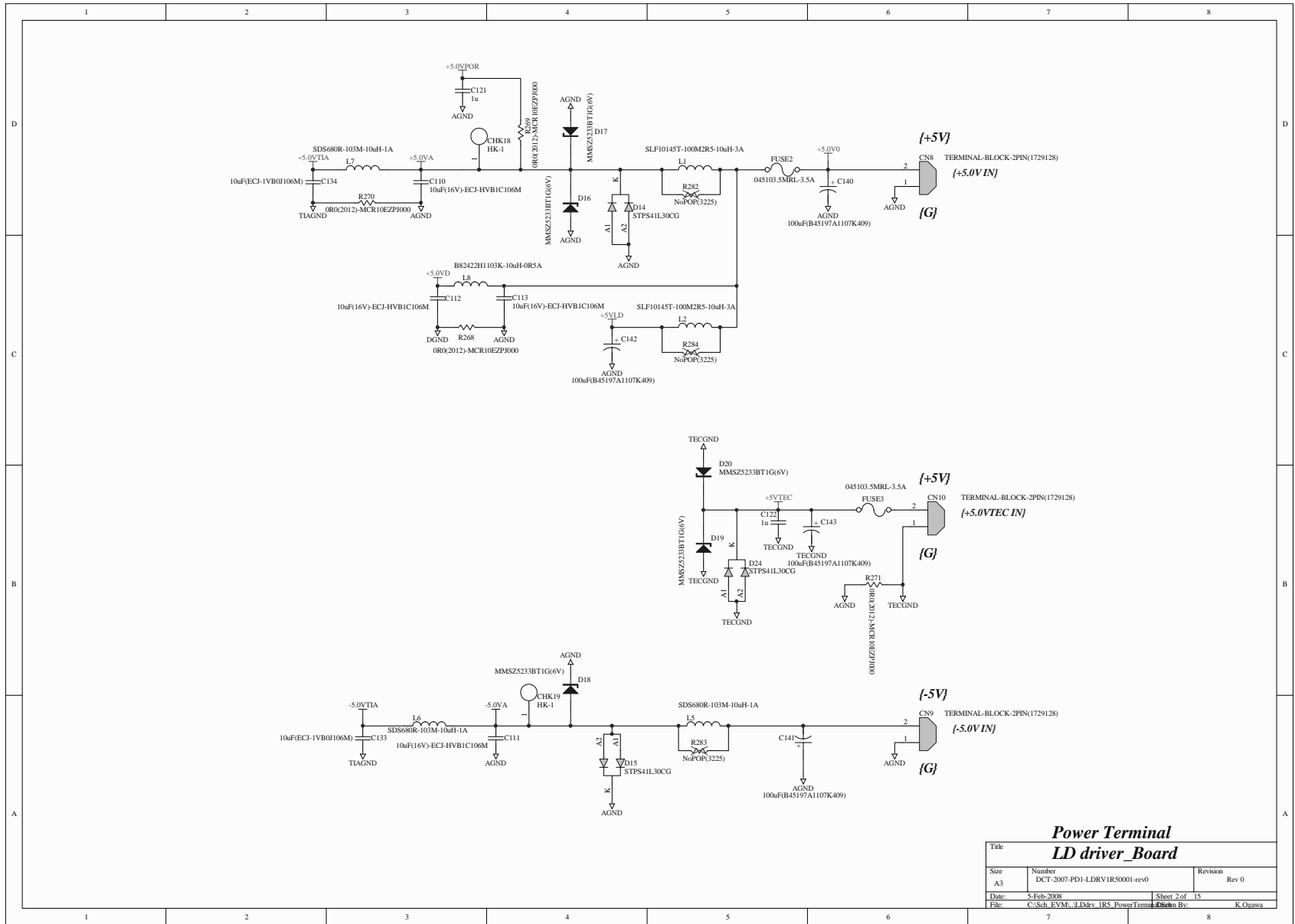


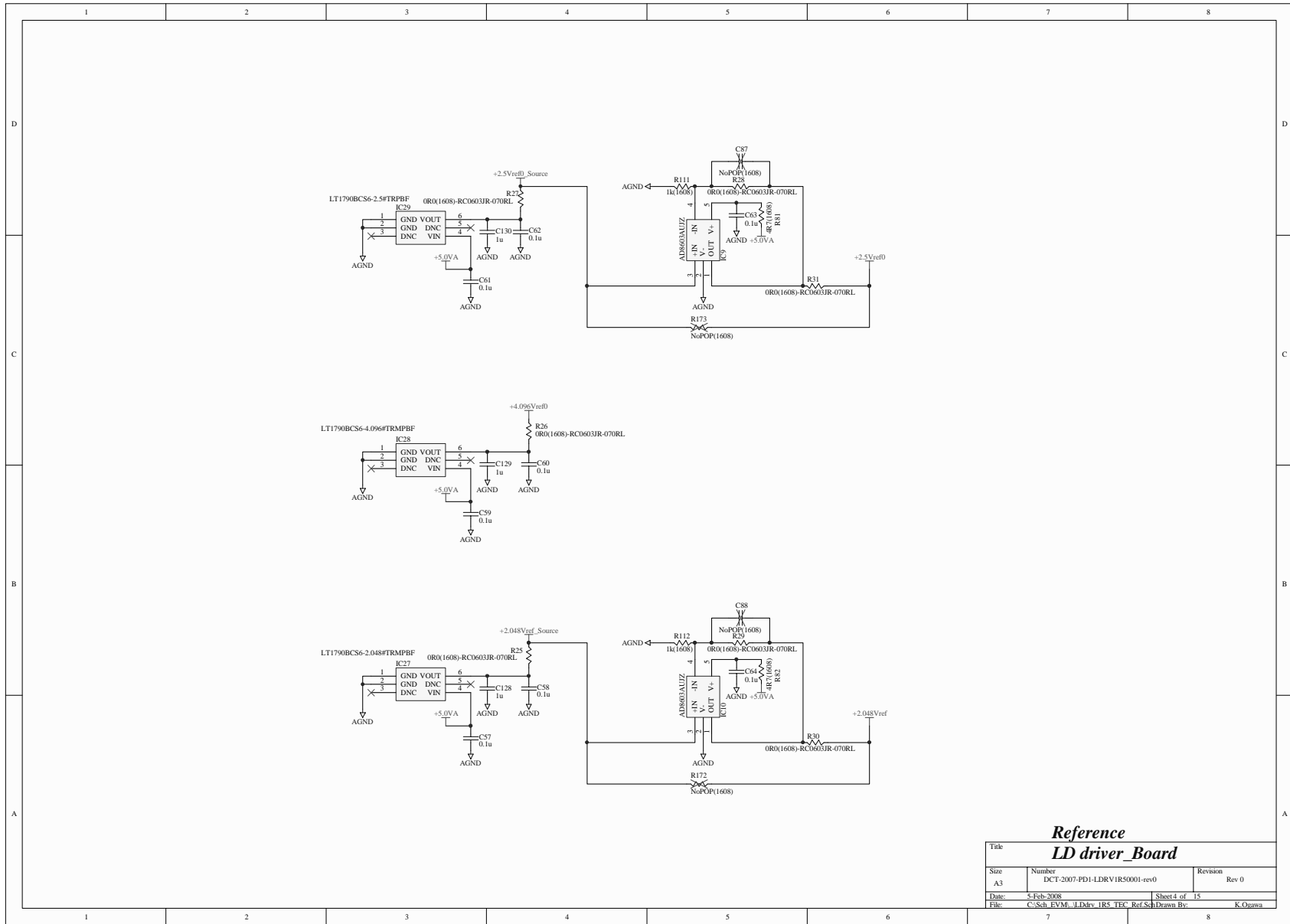
Top
LD driver Board

| | | |
|-------|-------------------------------|-------------------|
| Title | | |
| Size | Number | Revision |
| A3 | DCT-2007-PD1-LDRVIR50001-rev0 | Rev 0 |
| Date: | 3-Feb-2008 | Sheet 1 of 15 |
| File: | C:\Sch_EVM\LDdrv_IR5_Top.Sch | Drawn By: K.Ogawa |



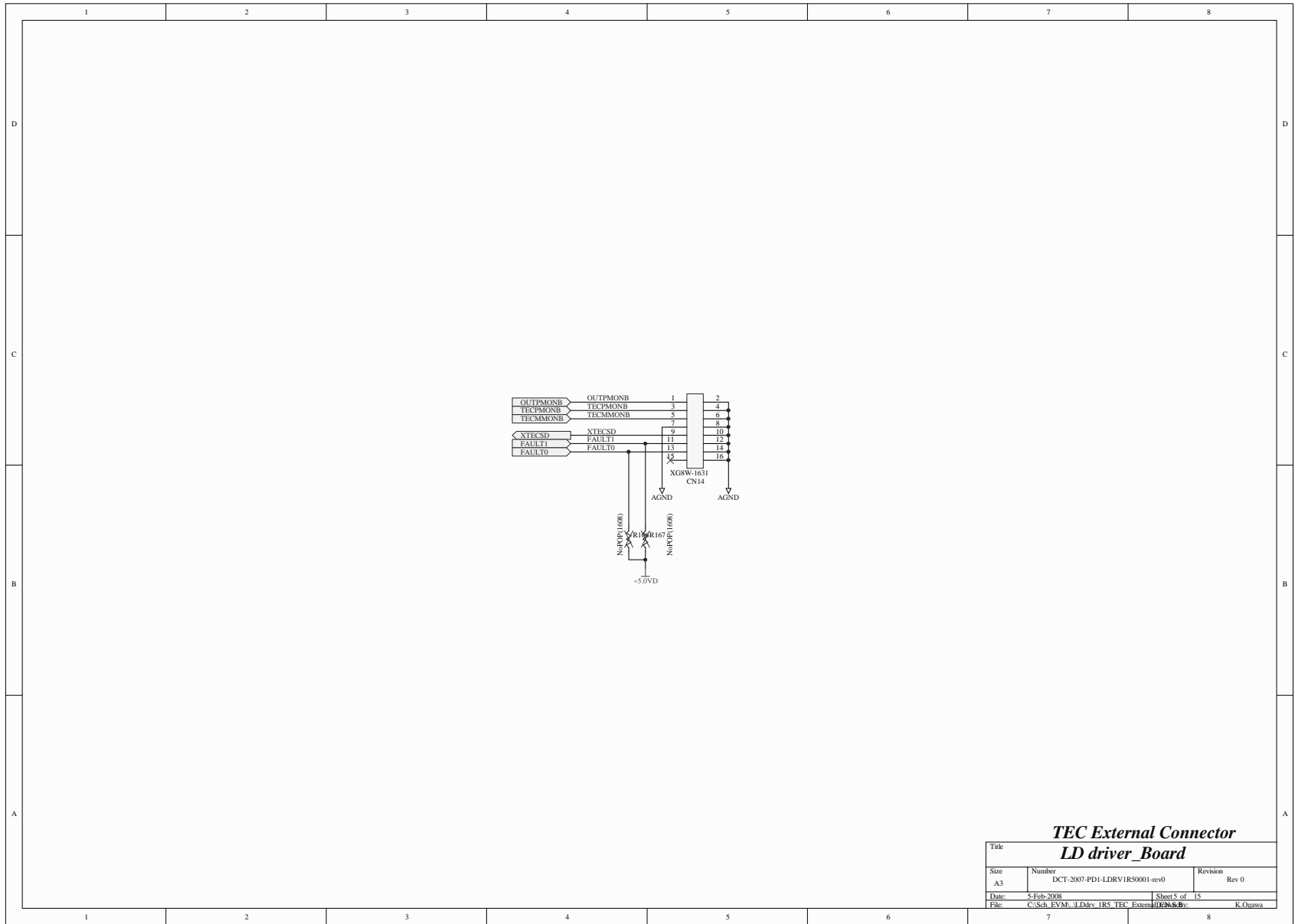
**Power Terminal
LD driver Board**

| | | |
|-------|------------------------------------|-------------------|
| Title | | |
| Size | Number | Revision |
| A3 | DCT-2007-PD1-LDRV1R50001-rev0 | Rev 0 |
| Date: | 3-Feb-2008 | Sheet 2 of 15 |
| File: | C:\Sch_EVM\LDdiv_IR5_PowerTerminal | Drawn By: K.Ogawa |



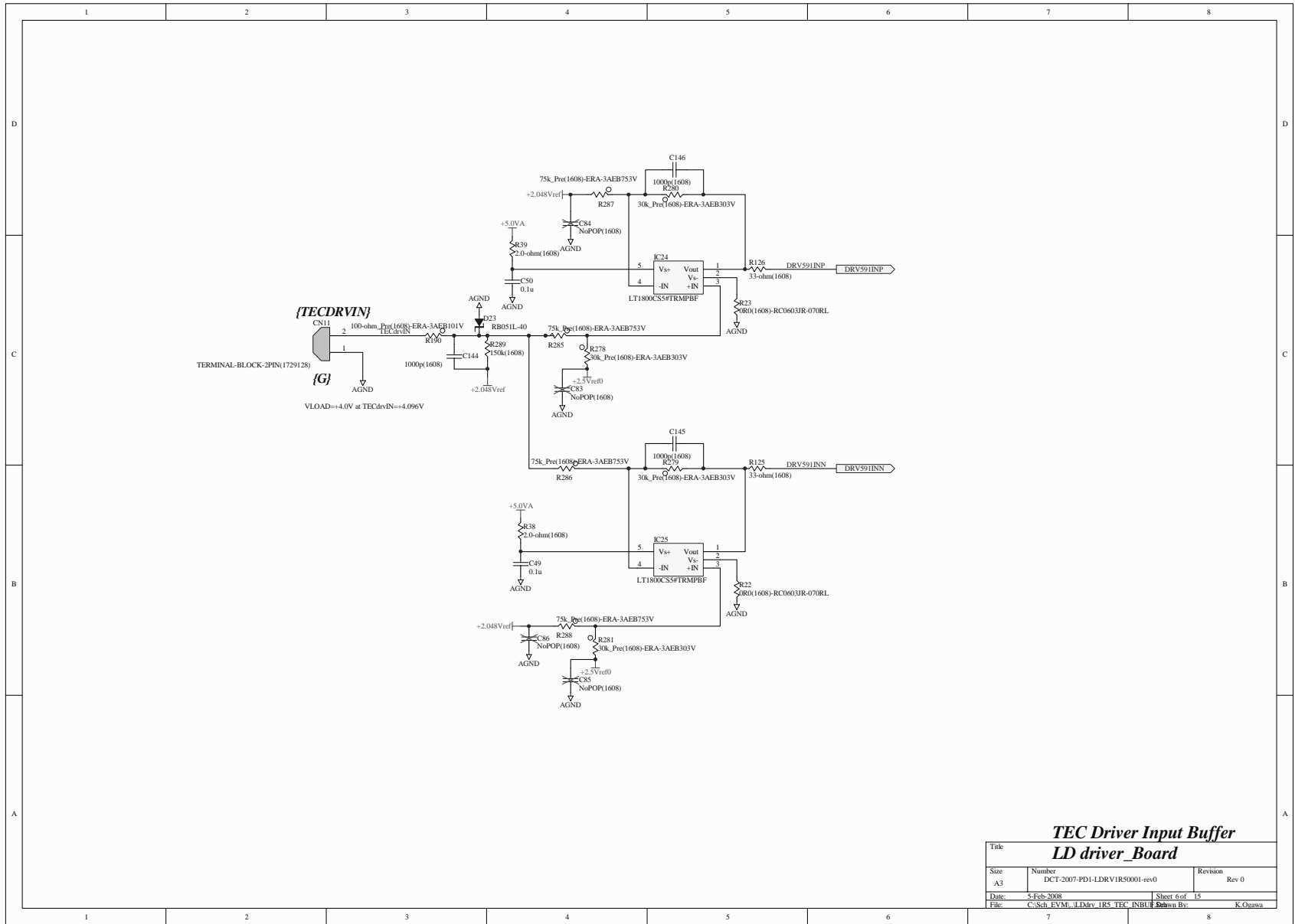
Reference
LD driver Board

| | | |
|-------|---|----------|
| Title | | |
| Size | Number | Revision |
| A3 | DCT-2007-PD1-LDRV1R50001-rev0 | Rev 0 |
| Date: | Sheet 4 of 15 | |
| File: | C:\Sch_EVM\...LDdiv_IR5_TFC_Ref.Sch Drawn By: K.Ogawa | |

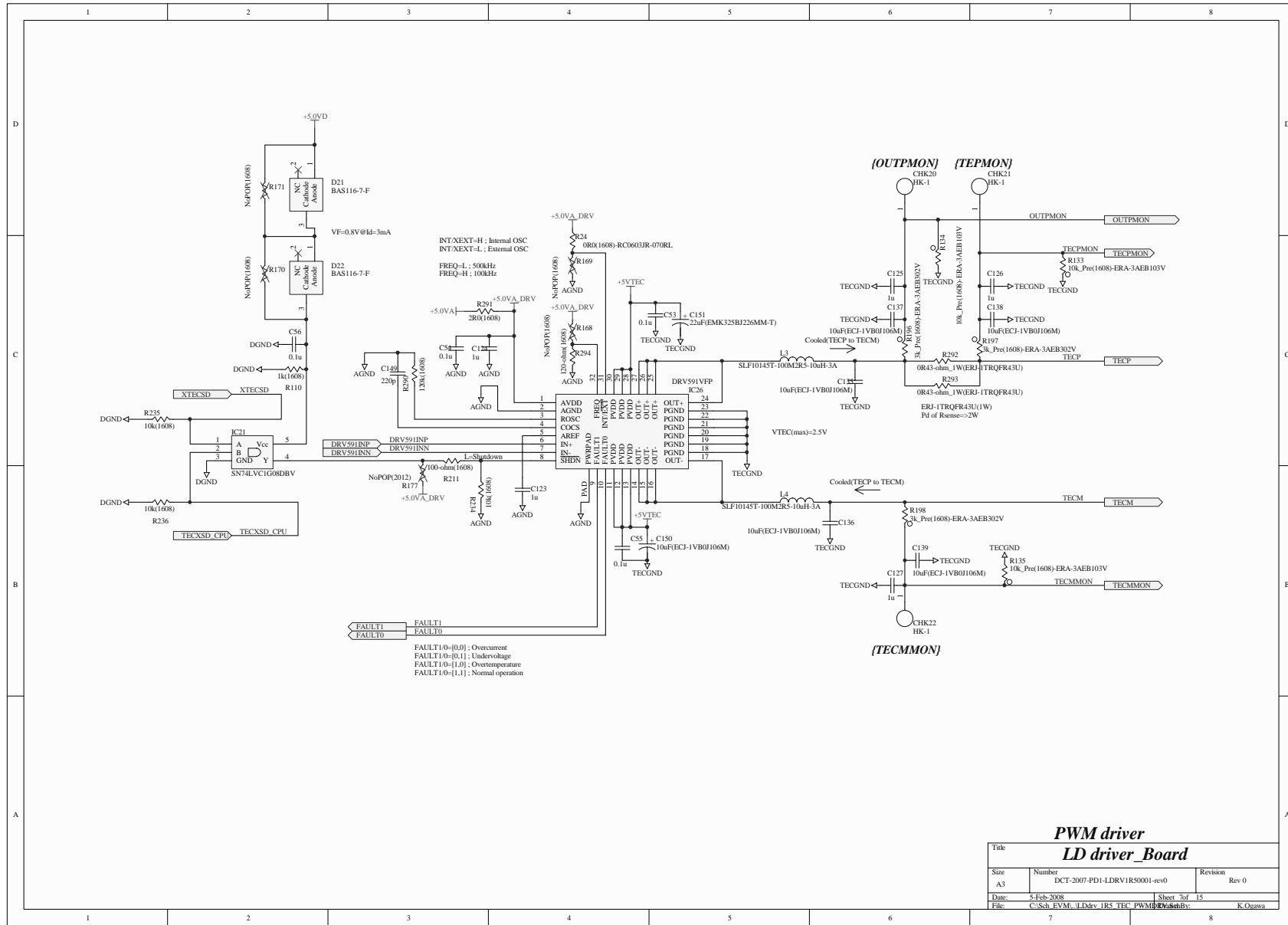


**TEC External Connector
LD driver Board**

| | | |
|-------|--|-------------------|
| Title | | |
| Size | Number | Revision |
| A3 | DCT-2007-PD1-LDRV1R50001-rev0 | Rev 0 |
| Date: | 3-Feb-2008 | Sheet 5 of 15 |
| File: | C:\Sch_EVM\LDdiv_1R5_TEC_Extm\LDdiv_1R5_TEC_Extm.dwg | Drawn by: K.Ogawa |

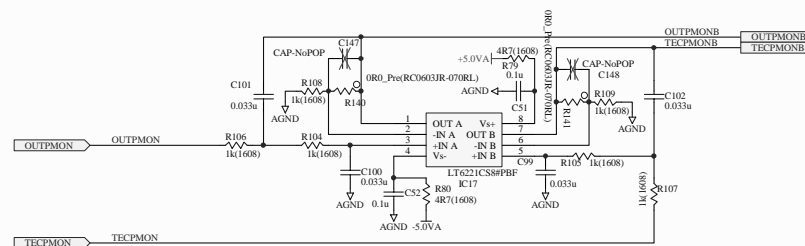


| | | |
|-------|--------------------------------|-------------------|
| Title | | |
| Size | Number | Revision |
| A3 | DC1-2007-PD1-LDRVIR50001-rev0 | Rev 0 |
| Date: | 3-Feb-2008 | Sheet 6 of 15 |
| File: | C:\Sch_EVM\LDdiv_IR5_TEC_INBUF | Drawn By: K.Ogawa |



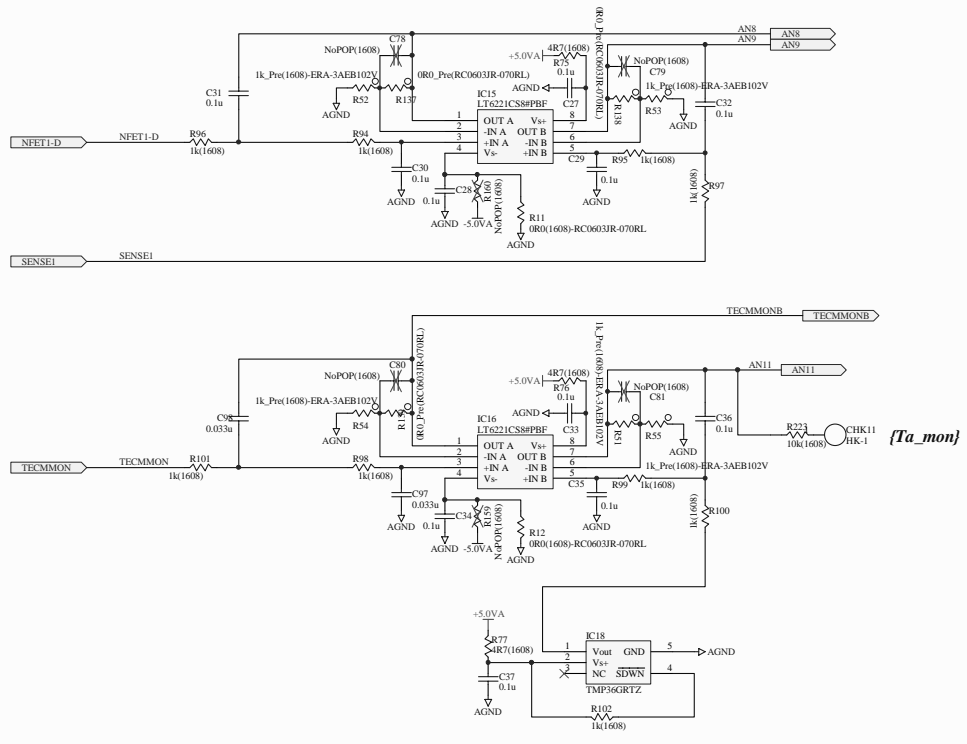
**PWM driver
LD driver Board**

| | | |
|-------|-------------------------------|-------------------|
| Title | | |
| Size | Number | Revision |
| A3 | DCT-2007-PD1-LDRV1R50001-rev0 | Rev 0 |
| Date: | 3-Feb-2008 | Sheet 7 of 15 |
| File: | C:\Sch_EVM\LDdiv_1R5_TEC_PWM | Drawn By: K.Ogawa |



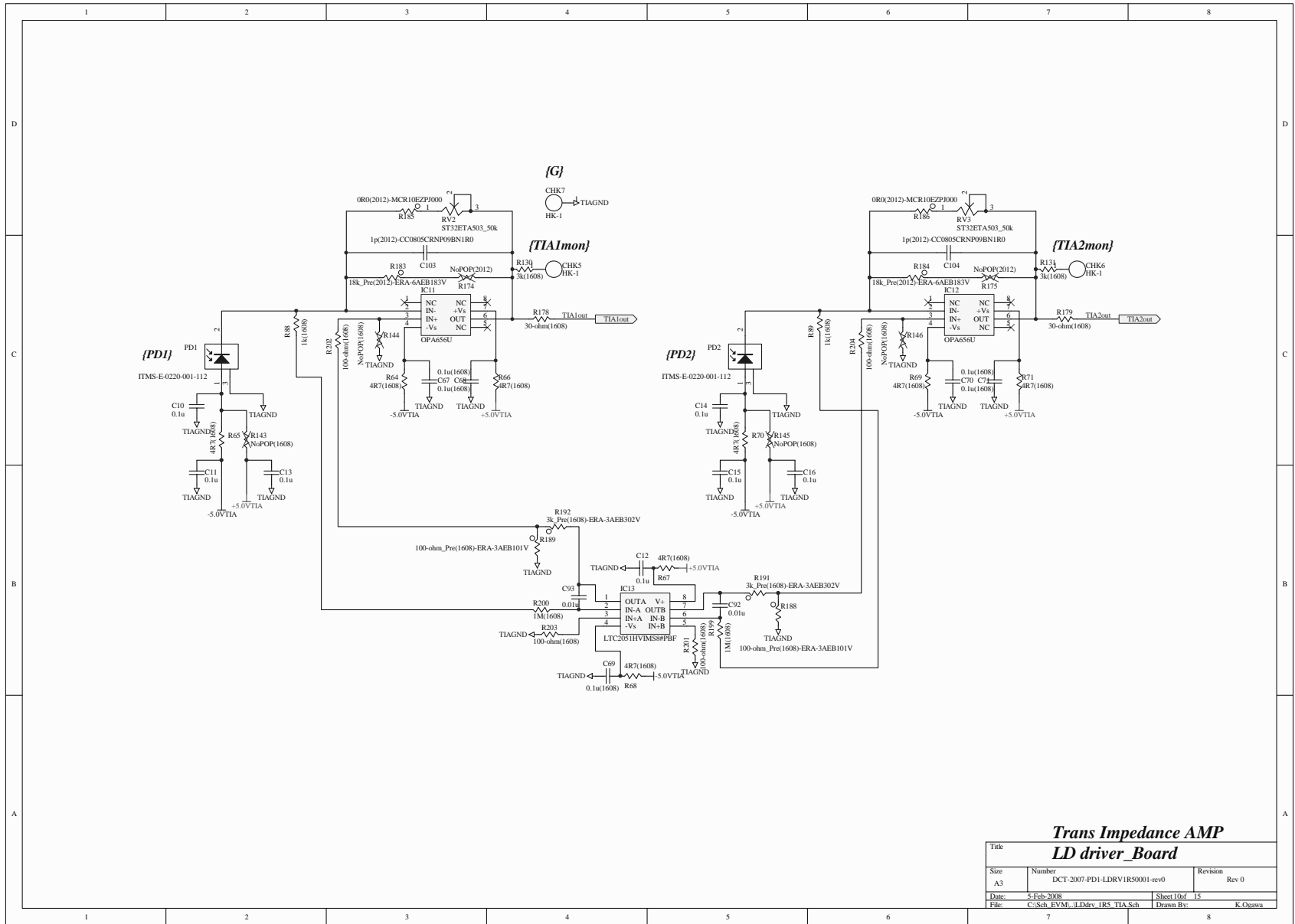
**TEC Monitor Buffer
LD driver Board**

| | | |
|---------------------------------------|---|-------------------|
| Title | | |
| Size A3 | Number DCT-2007-PD1-LDRV1R50001-rev0 | Revision Rev 0 |
| Date: 5-Feb-2008 | Sheet 8 of 15 | |
| File: C:\Sch_EVM\LDdiv_1R5_TEC_MON | Drawn By: | K.Ogawa |



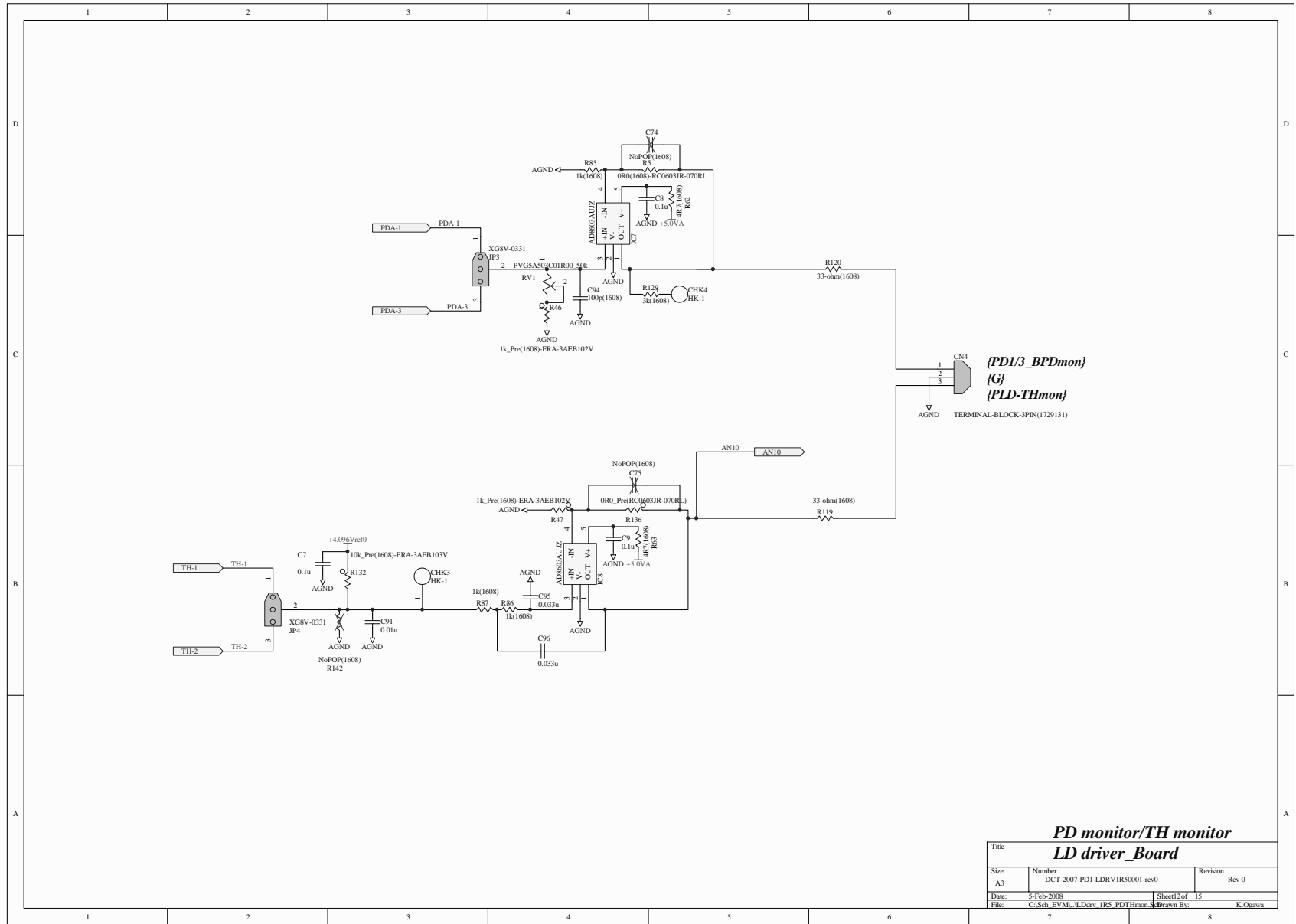
**Monitor LPF
LD driver Board**

| | | |
|--|--------------------------------------|----------------|
| Title | | |
| Size A3 | Number DCT-2007-PD1-LDRV1R50001-rev0 | Revision Rev 0 |
| Date: 3-Feb-2008 | Sheet 9 of 15 | |
| File: C:\Sch_EVM\...LDdiv_1R5_MonLPF_Sch | Drawn By: K.Ogawa | |



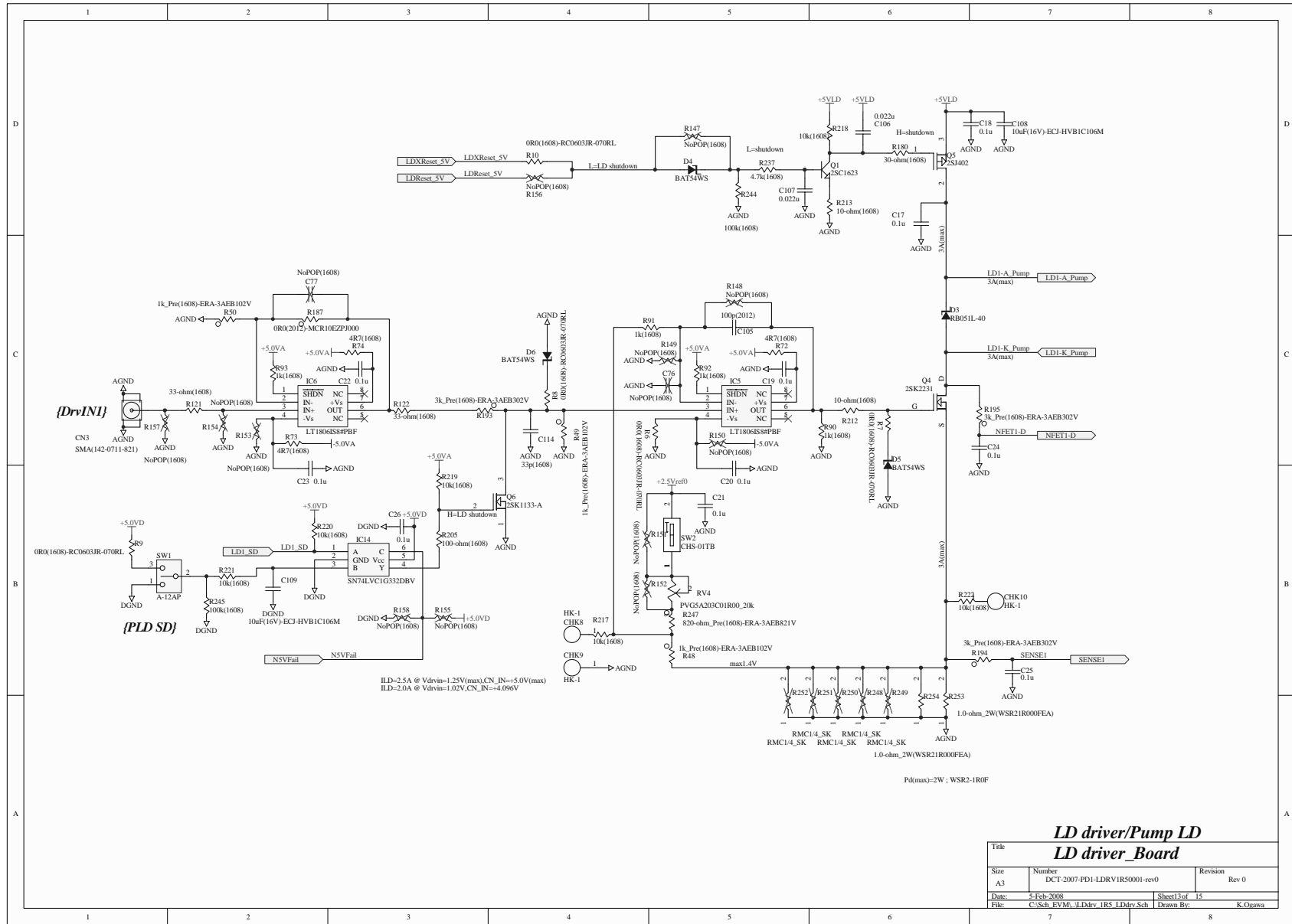
**Trans Impedance AMP
LD driver Board**

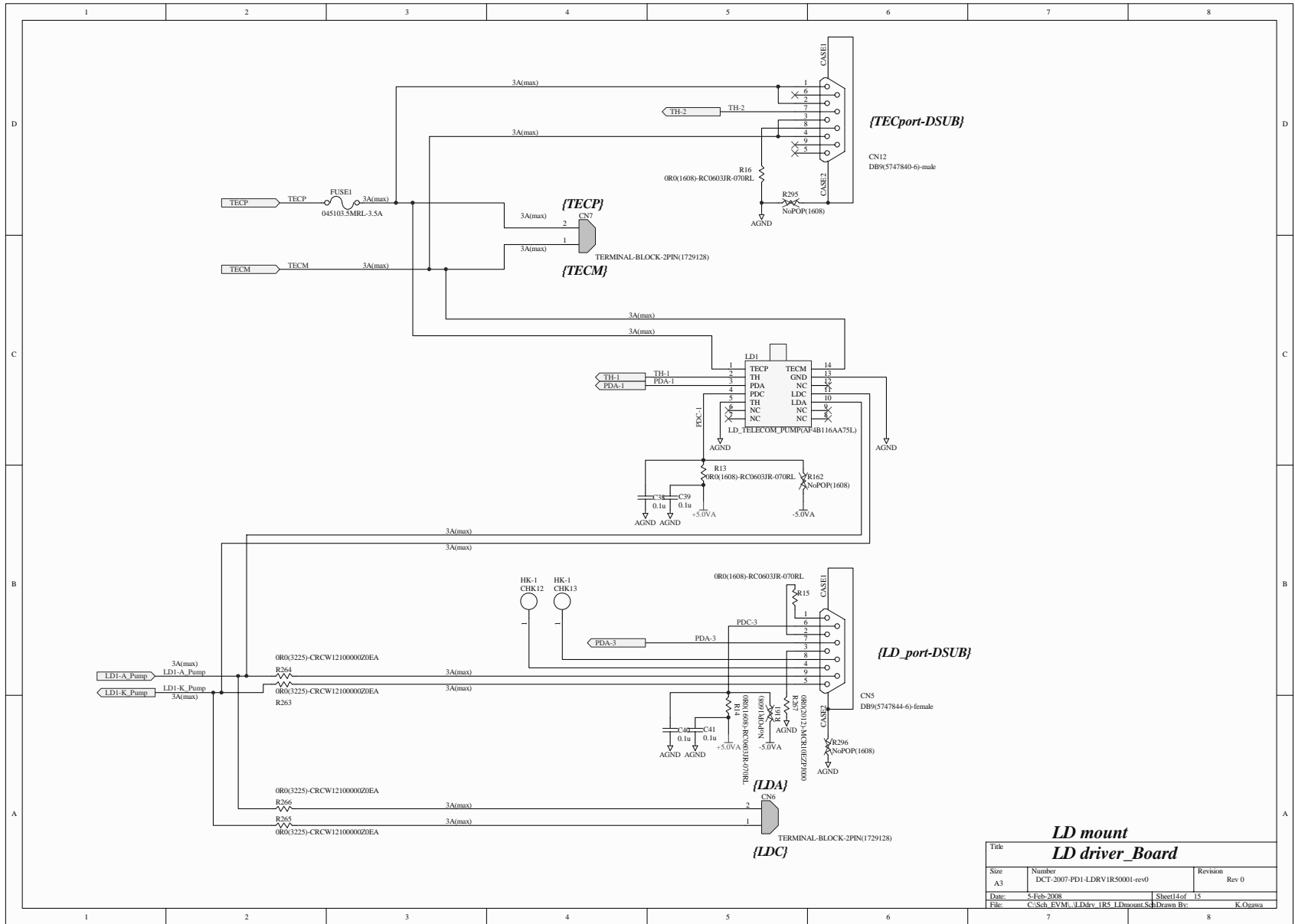
| | | |
|-------|-------------------------------|-------------------|
| Title | | |
| Size | Number | Revision |
| A3 | DCT-2007-PD1-LDRV1R50001-rev0 | Rev 0 |
| Date: | 3-Feb-2008 | Sheet 1 of 15 |
| File: | C:\Sch_EVM\LDdiv_1R5_TIA_Sch | Drawn By: K.Ogawa |



**PD monitor/TH monitor
LD driver Board**

| | | |
|-------|--------------------------------|-------------------|
| Title | | |
| Size | Number | Revision |
| A3 | DC1-2007-PD1-LDRV1R50001-rev0 | Rev 0 |
| Date: | 3-Feb-2008 | Sheet12of 15 |
| File: | C:\Sch_EVM\LDdiv_1R5_PDTHmon.k | Drawn By: K.Ogawa |





**LD mount
LD driver Board**

| | | |
|-------|---------------------------------|-------------------|
| Title | | |
| Size | Number | Revision |
| A3 | DCT-2007-PD1-LDRV1R50001-rev0 | Rev 0 |
| Date: | 3-Feb-2008 | Sheet 14 of 15 |
| File: | C:\Sch_EVM\LDdiv_1R5_LDmountSch | Drawn By: K.Ogawa |

